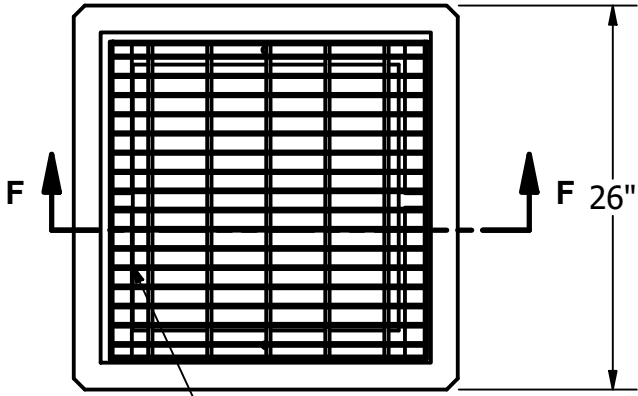
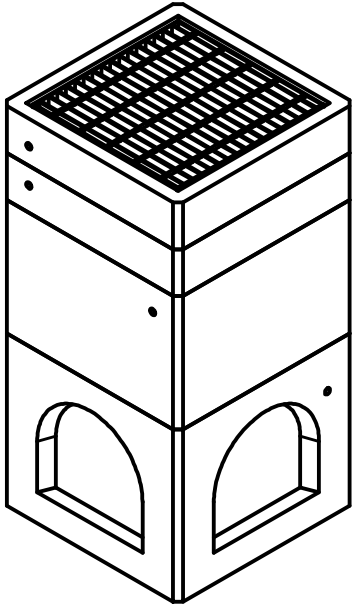
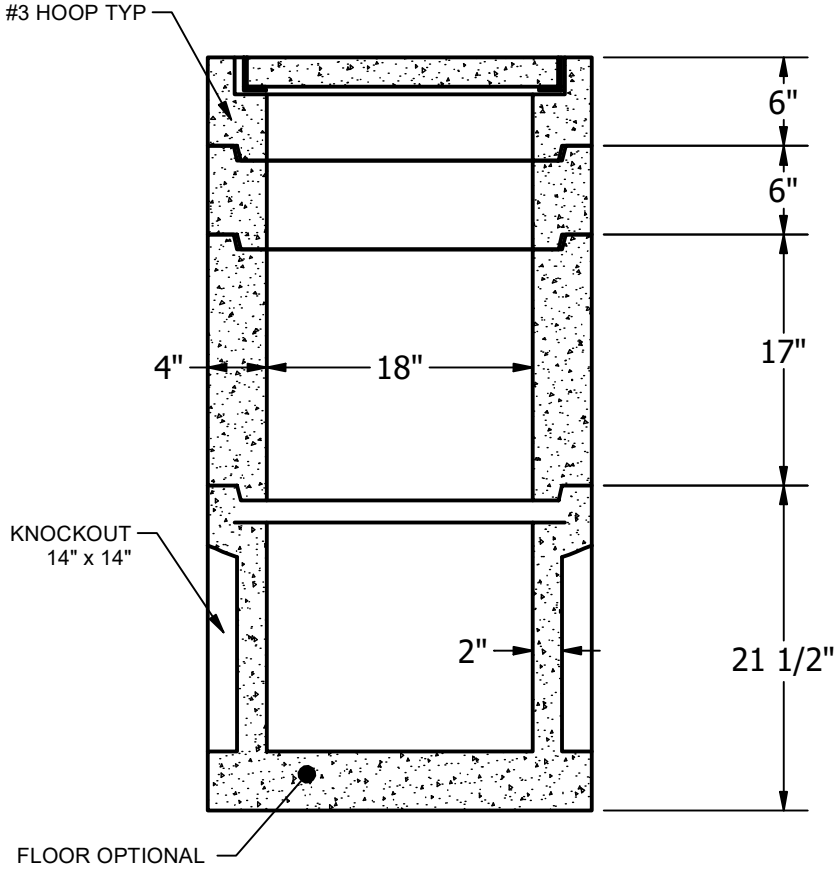


| PART NUMBER | HIGHTS | APPROX. LBS |
|---------------|---------|-------------|
| 1818X6 | 6" | 175 |
| 1818X18 | 17" | 525 |
| 1818-B18 OPEN | 17" | 400 |
| 1818-B18F | 21 1/2" | 625 |



FRAME AND GRATE
 STANDARD: GALVANIZED STEEL TRAFFIC RATED.
 OPTIONAL: ADA, HIGH HEEL PROOF, SOLID COVER, CAST IRON PARKWAY OR TRAFFIC.



ISOMETRIC VIEW

SECTION A-A

1. ALL DIMENSIONS ARE IN DECIMAL INCHES.
2. PRECAST MATERIALS AND MANUFACTURING METHODS SHALL CONFORM TO ASTM C-913.
3. BOX DESIGN LOAD H-20 TRAFFIC.
4. CONCRETE SHALL HAVE A MINIMUM COMPRESSIVE STRENGTH F C= 4000 PSI AT 28 DAYS.
5. THE PORTLAND CEMENT USED IN THE PRECAST SECTIONS SHALL MEET THE REQUIREMENTS OF TYPE II/V HIGH SULFATE RESISTANT CEMENT IN ACCORDANCE WITH ASTM C-150.

LOCATION:T:\Drawings\Vault\DESIGNS\CATCH BASINS\CB_CUT SHEETS\CB1818 STD.dwg



240 W. LOS ANGESE AVE. SIMI VALLEY, CA 93065
 P: (805) 527-0841 F: (805) 584-0769,
 WWW.PRE-CONPRODUCTS.COM

THE CONTENTS OF THESE DRAWINGS ARE THE PROPERTY OF PRECON PRODUCTS AND ARE PROPRIETARY AND CONFIDENTIAL. THESE DOCUMENTS SHALL NOT BE DISSEMINATED FOR ANY OTHER USE, WITHOUT THE WRITTEN CONSENT OF PRECON PRODUCTS. IF YOU RECEIVE THESE DRAWINGS IN ERROR, RETURN TO SENDER WITHOUT READING, COPYING OR DISCLOSING THE CONTENTS.

DRAWN BY:
 W.Tack
 DATE:
 7/2/2021

TITLE:
 CATCH BASIN 18"x 18"
 STANDARD

SHEETS:
 1 OF 1

DO NOT SCALE