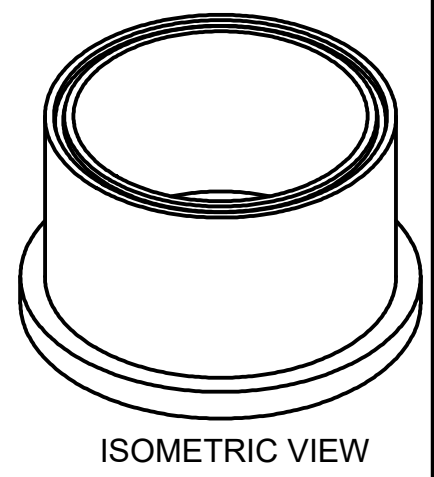
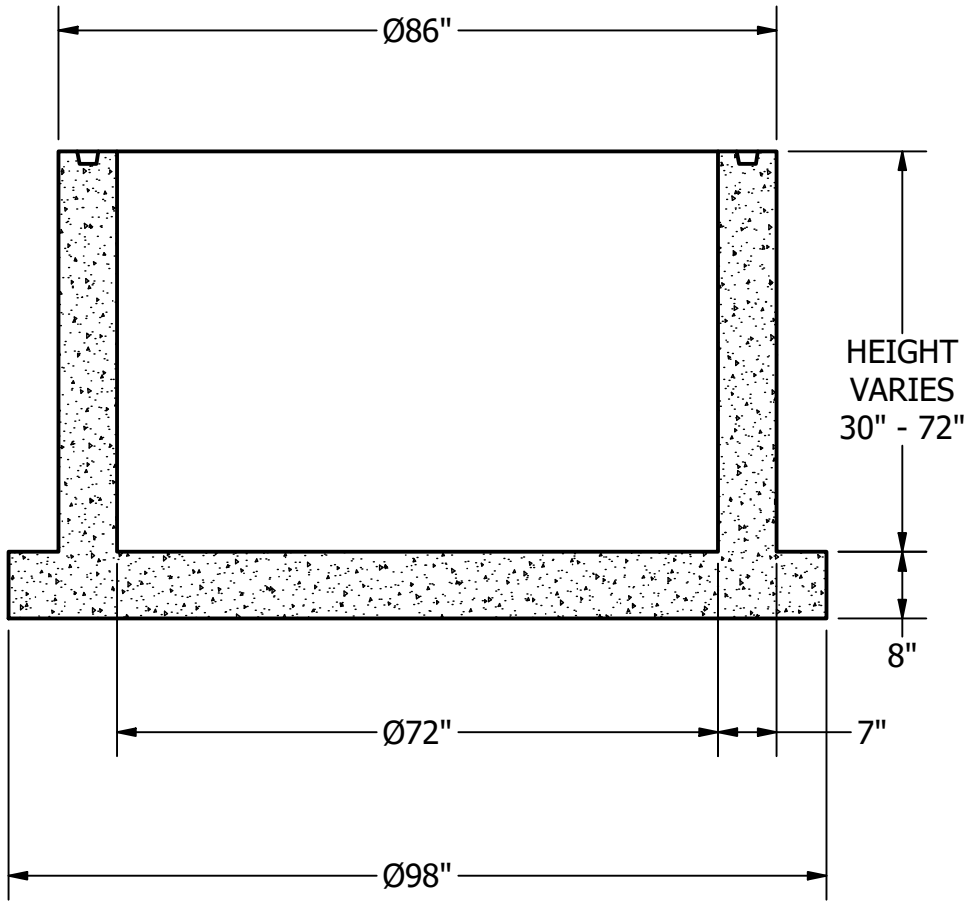



LOCATION: T:\Drawings\Vault\DESIGNS\MANHOLES\MH CUT SHEETS\Standard\1\HB72-STD-AF.dwg



NOTES: UNLESS OTHERWISE SPECIFIED.

1. PRECAST MATERIALS AND MANUFACTURING METHODS SHALL CONFORM TO ASTM C-478.
2. CONCRETE SHALL HAVE A MINIMUM COMPRESSIVE STRENGTH F C= 4000 PSI AT 28 DAYS.
3. THE PORTLAND CEMENT USED IN THE PRECAST SECTIONS SHALL MEET THE REQUIREMENTS OF TYPE II/V HIGH SULFATE RESISTANT CEMENT IN ACCORDANCE WITH ASTM C-150.
4. PRE-CAST JOINTS SHALL BE SEALED USING MASTIC.

 240 W. LOS ANGESE AVE. SIMI VALLEY, CA 93065 P: (805) 527-0841 F: (805) 584-0769, WWW.PRE-CONPRODUCTS.COM	THE CONTENTS OF THESE DRAWINGS ARE THE PROPERTY OF PRECON PRODUCTS AND ARE PROPRIETARY AND CONFIDENTIAL. THESE DOCUMENTS SHALL NOT BE DISSEMINATED FOR ANY OTHER USE, WITHOUT THE WRITTEN CONSENT OF PRECON PRODUCTS. IF YOU RECEIVE THESE DRAWINGS IN ERROR, RETURN TO SENDER WITHOUT READING, COPYING OR DISCLOSING THE CONTENTS.	DRAWN BY: W. TACK	TITL: MANHOLE BASE, 72" DIA ANTI FLOAT	SHEETS: 1 OF 1
		DATE: 7/7/2021		DO NOT SCALE