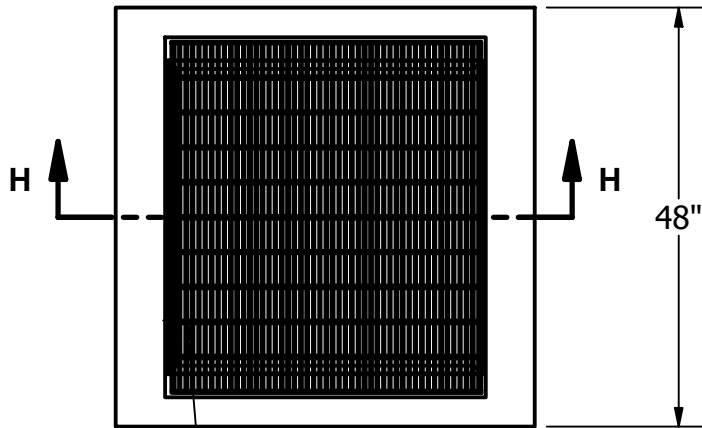


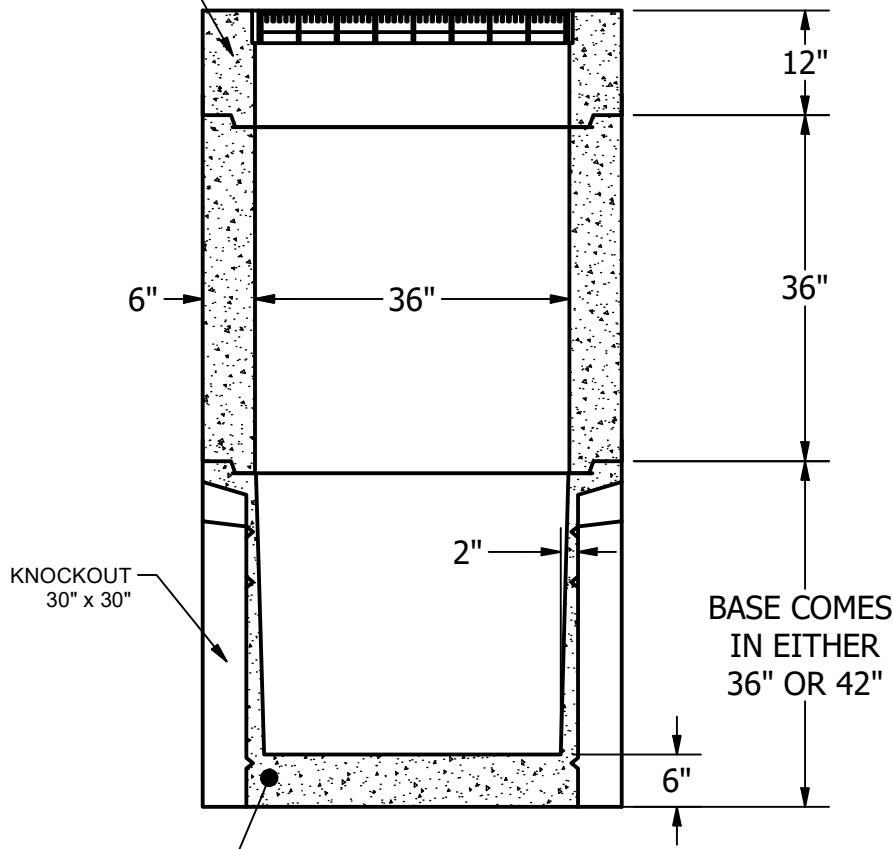
PART NUMBER	HIGHTS	APPROX. LBS
3636x12	12"	1025
3636x36	36"	3650
3636-B36 OPEN	36"	2500
3636-B36F	39 1/2"	3500



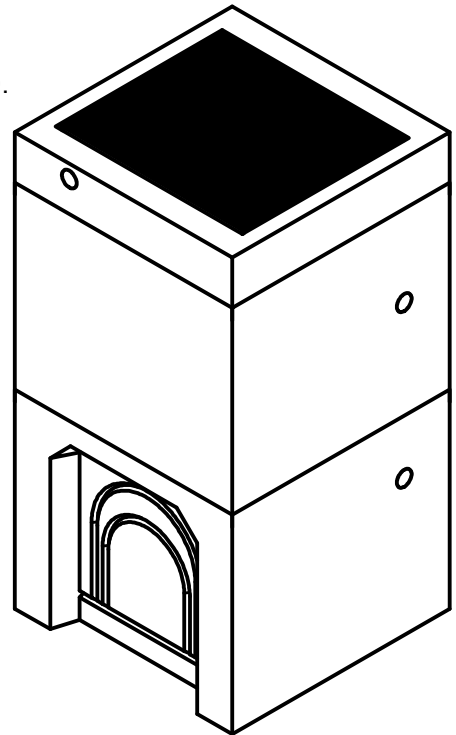
FRAME AND GRATE

STANDARD: GALVANIZED STEEL TRAFFIC RATED.
OPTIONAL: ADA, HIGH HEEL PROOF, SOLID COVER, CAST IRON PARKWAY OR TRAFFIC.

#3 HOOP TYP



SECTION A-A



ISOMETRIC VIEW

1. ALL DIMENSIONS ARE IN DECIMAL INCHES.
2. PRECAST MATERIALS AND MANUFACTURING METHODS SHALL CONFORM TO ASTM C-913.
3. BOX DESIGN LOAD H-20 TRAFFIC.
4. CONCRETE SHALL HAVE A MINIMUM COMPRESSIVE STRENGTH F C= 4000 PSI AT 28 DAYS.
5. THE PORTLAND CEMENT USED IN THE PRECAST SECTIONS SHALL MEET THE REQUIREMENTS OF TYPE II/V HIGH SULFATE RESISTANT CEMENT IN ACCORDANCE WITH ASTM C-150.



240 W. LOS ANGESE AVE. SIMI VALLEY, CA 93065
P: (805) 527-0841 F: (805) 584-0769,
WWW.PRE-CONPRODUCTS.COM

THE CONTENTS OF THESE DRAWINGS ARE THE PROPERTY OF PRECON PRODUCTS AND ARE PROPRIETARY AND CONFIDENTIAL. THESE DOCUMENTS SHALL NOT BE DISSEMINATED FOR ANY OTHER USE, WITHOUT THE WRITTEN CONSENT OF PRECON PRODUCTS. IF YOU RECEIVE THESE DRAWINGS IN ERROR, RETURN TO SENDER WITHOUT READING, COPYING OR DISCLOSING THE CONTENTS.

DRAWN BY:

W.Tack

DATE:

7/2/2021

TITLE:

CATCH BASIN 36"x 36"
STANDARD

SHEETS:

1 OF 1

DO NOT SCALE