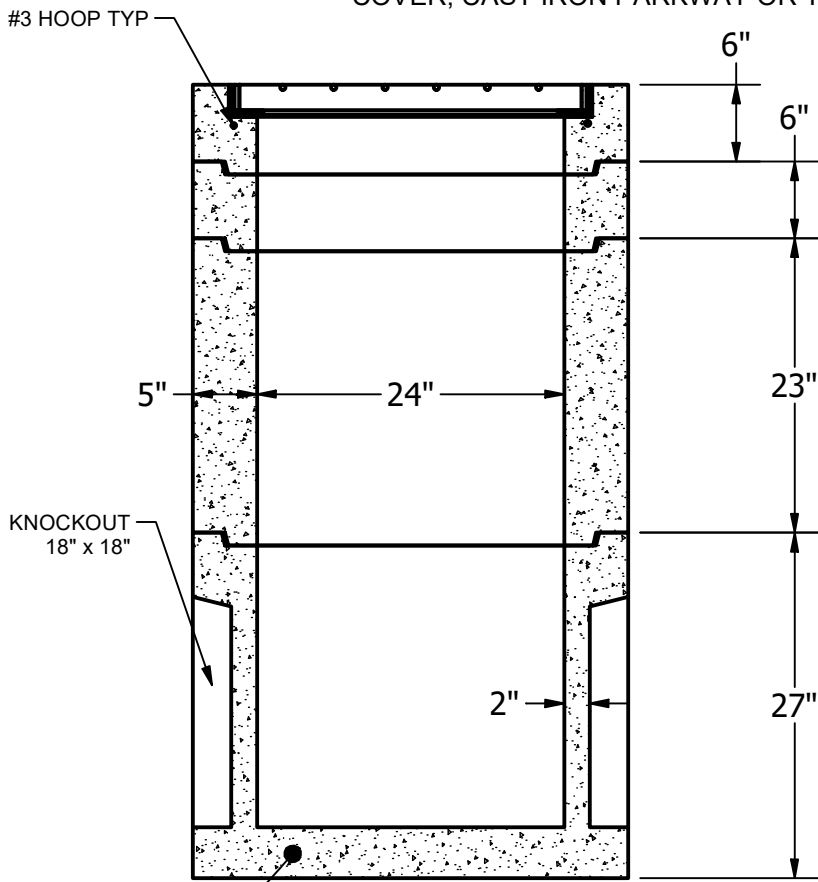


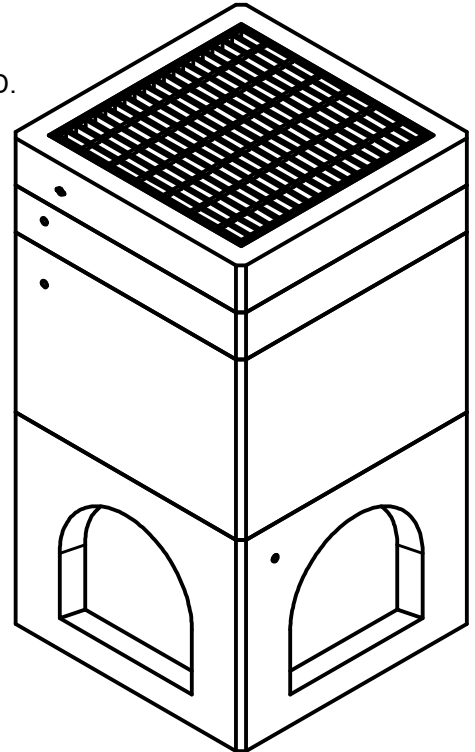
PART NUMBER	HIGHTS	APPROX. LBS
2424X6	6"	300
2424X24	23"	1150
2424-B24 OPEN	23"	791
2424-B24F	27"	1200

FRAME AND GRATE

STANDARD: GALVANIZED STEEL TRAFFIC RATED.
 OPTIONAL: ADA, HIGH HEEL PROOF, SOLID COVER, CAST IRON PARKWAY OR TRAFFIC.



SECTION A-A



ISOMETRIC VIEW

1. ALL DIMENSIONS ARE IN DECIMAL INCHES.
2. PRECAST MATERIALS AND MANUFACTURING METHODS SHALL CONFORM TO ASTM C-913.
3. BOX DESIGN LOAD H-20 TRAFFIC.
4. CONCRETE SHALL HAVE A MINIMUM COMPRESSIVE STRENGTH F C= 4000 PSI AT 28 DAYS.
5. THE PORTLAND CEMENT USED IN THE PRECAST SECTIONS SHALL MEET THE REQUIREMENTS OF TYPE II/V HIGH SULFATE RESISTANT CEMENT IN ACCORDANCE WITH ASTM C-150.



240 W. LOS ANGELESE AVE. SIMI VALLEY, CA 93065
 P: (805) 527-0841 F: (805) 584-0769,
 WWW.PRE-CONPRODUCTS.COM

THE CONTENTS OF THESE DRAWINGS ARE THE PROPERTY OF PRECON PRODUCTS AND ARE PROPRIETARY AND CONFIDENTIAL. THESE DOCUMENTS SHALL NOT BE DISSEMINATED FOR ANY OTHER USE, WITHOUT THE WRITTEN CONSENT OF PRECON PRODUCTS. IF YOU RECEIVE THESE DRAWINGS IN ERROR, RETURN TO SENDER WITHOUT READING, COPYING OR DISCLOSING THE CONTENTS.

DRAWN BY:
 W.Tack
 DATE:
 7/2/2021

TITLE:

CATCH BASIN 24"x 24"
 STANDARD

SHEETS:

1 OF 1

DO NOT SCALE