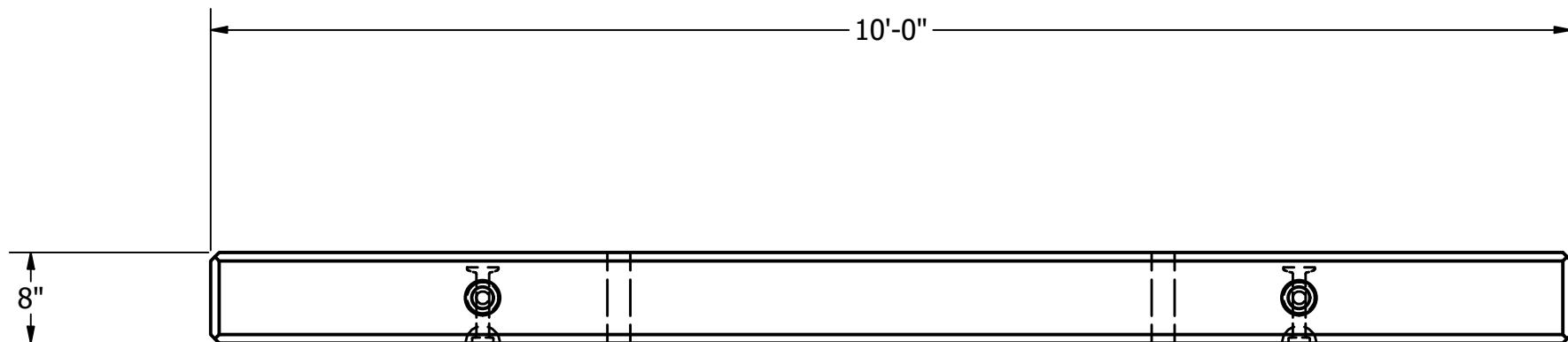
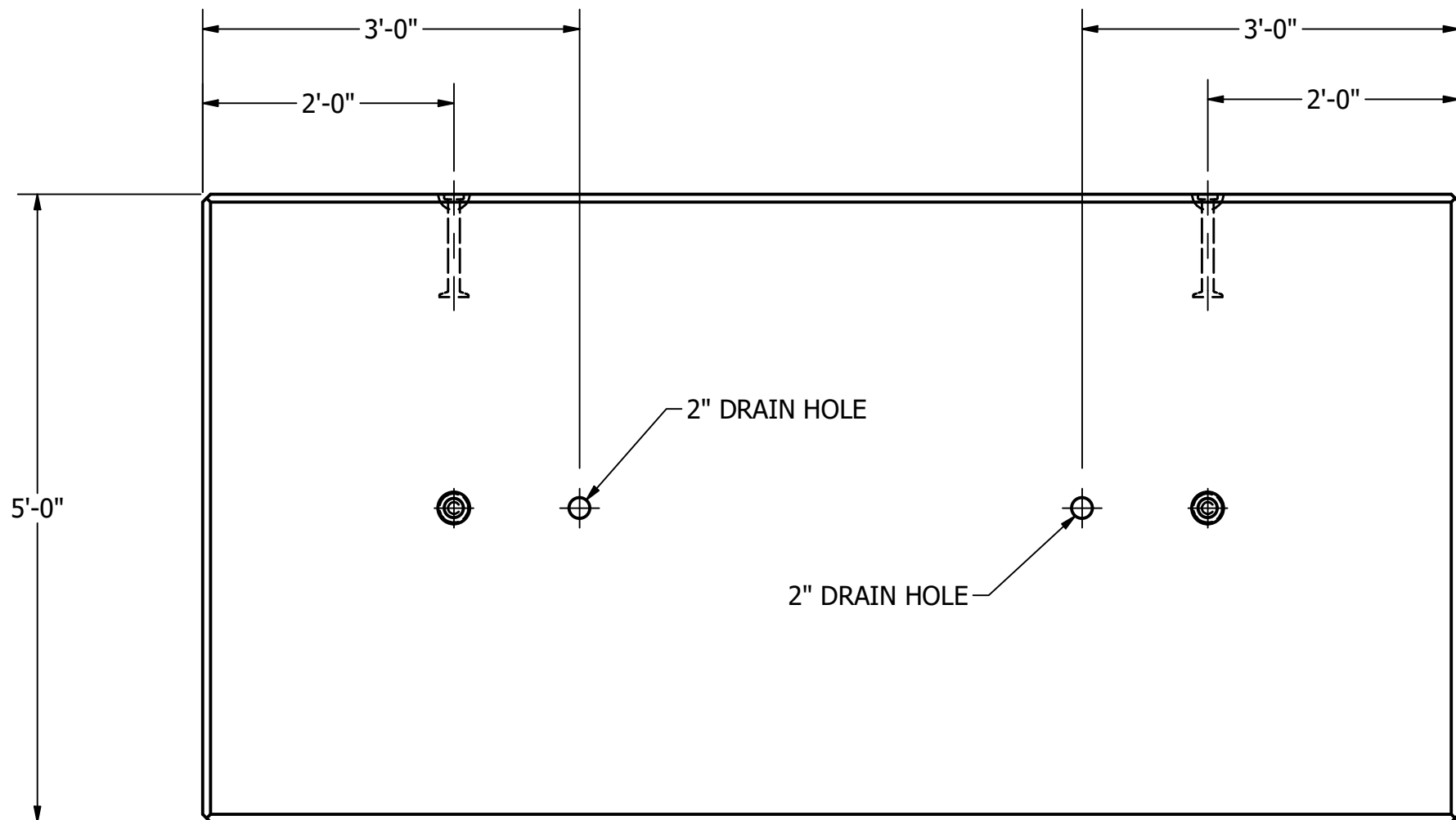


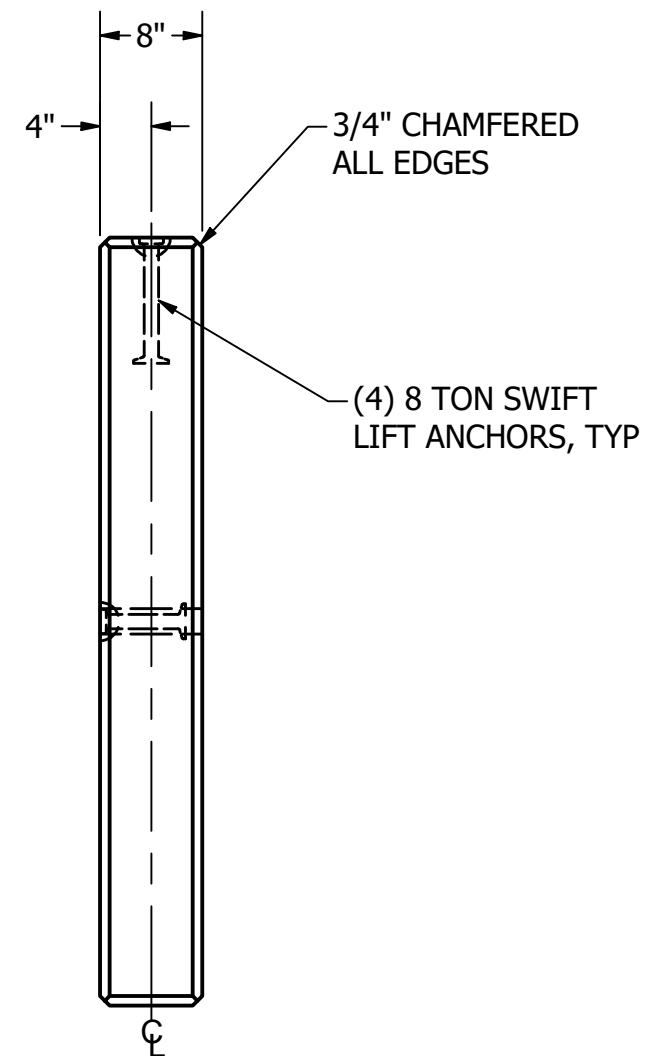
# 8"x 5'x 10' WING WALL



PLAN VIEW



PROFILE VIEW



END VIEW

**CONCRETE**  
 28 Day Compressive 5,000 psi (Minimum)  
 Mix Design Number 148638  
 Lifting Strength 2000 psi (Minimum)

REVISIONS:	No.	DATE	DESCRIPTION

THE CONTENTS OF THESE DRAWINGS ARE THE PROPERTY OF PRECON PRODUCTS AND ARE PROPRIETARY AND CONFIDENTIAL. THESE DOCUMENTS SHALL NOT BE DISSEMINATED FOR ANY OTHER USE, WITHOUT THE WRITTEN CONSENT OF PRECON PRODUCTS. IF YOU RECEIVE THESE DRAWINGS IN ERROR, RETURN TO SENDER WITHOUT READING, COPYING OR DISCLOSING THE CONTENTS.

DO NOT SCALE

240 W. LOS ANGELES AVE.  
 SIMI VALLEY, CA 93065  
 P: (805) 527-0841 F: (805) 584-0769  
 WWW.PRE-CONPRODUCTS.COM

TITLE:  
**8"x 5'x 10' PRECAST CONCRETE WINGWALL PANEL**

DRAWN BY:  
**K.STRADER**

DATE:  
**2/5/2019**

SHEET:  
**1 OF 1**

LOCATION: T:\Drawings\Vault\DESIGN\SL\Agg Panels\Website\8'x5'x10' wing wall sample.dwg