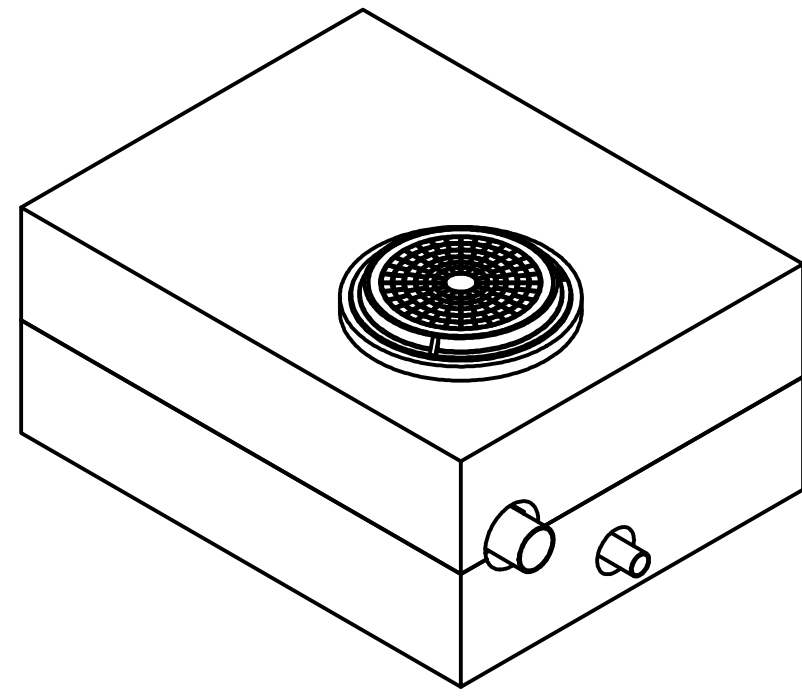
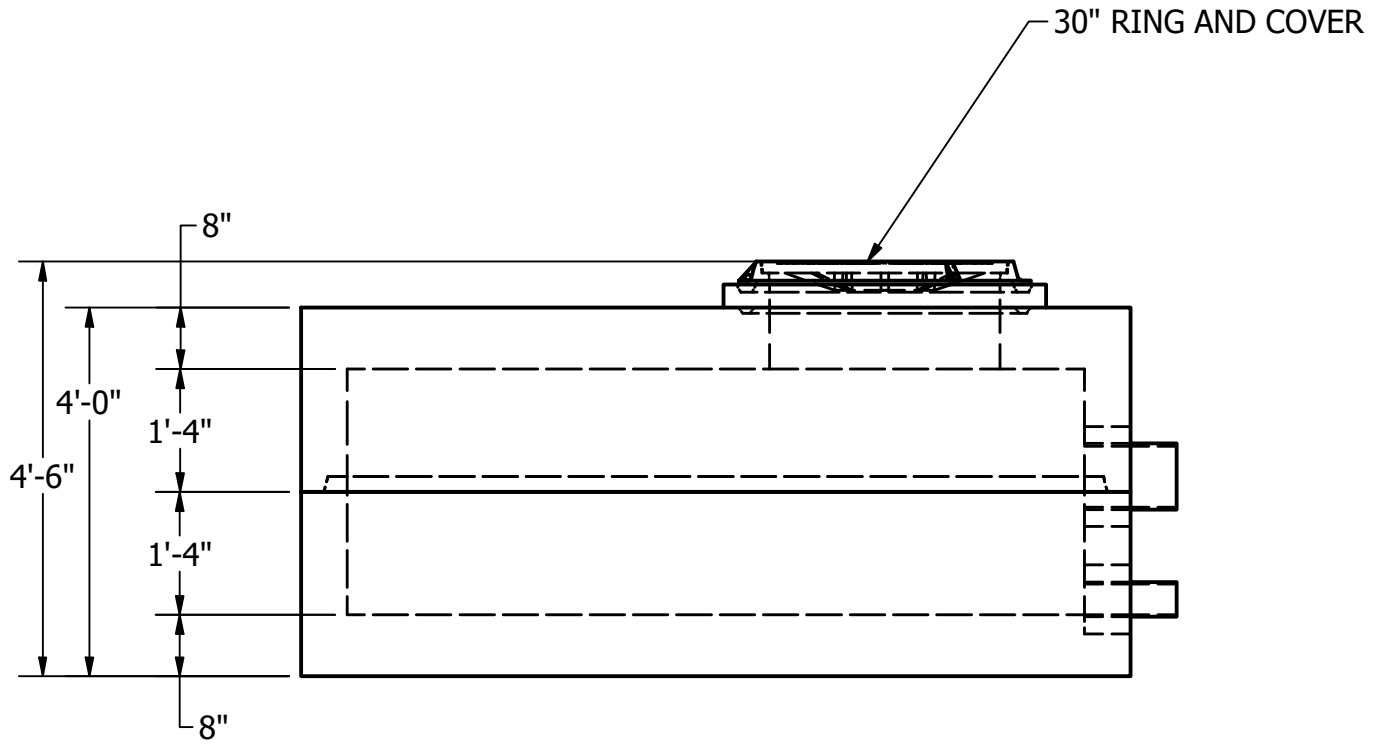


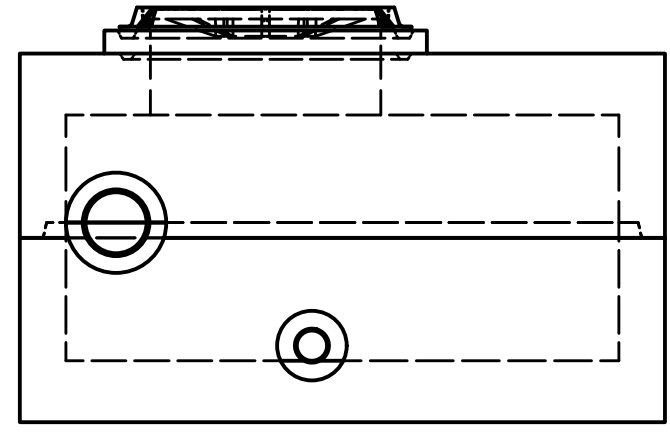
PLAN VIEW



ISOMETRIC VIEW



PROFILE VIEW



END VIEW

CONCRETE
 28 Day Compressive 5,000 psi (Minimum)
 Mix Design Number 1418638
 Lifting Strength 2000 psi (Minimum)

REVISIONS:
 No. DATE DESCRIPTION

THE CONTENTS OF THESE DRAWINGS ARE THE PROPERTY OF PRECON PRODUCTS AND ARE PROPRIETARY AND CONFIDENTIAL. THESE DOCUMENTS SHALL NOT BE DISSEMINATED FOR ANY OTHER USE, WITHOUT THE WRITTEN CONSENT OF PRECON PRODUCTS. IF YOU RECEIVE THESE DRAWINGS IN ERROR, RETURN TO SENDER WITHOUT READING, COPYING OR DISCLOSING THE CONTENTS.

DO NOT SCALE

PRECON
 240 W. LOS ANGELES AVE.
 SIMI VALLEY, CA 93065
 P: (805) 527-0841 F: (805) 584-0769,
 WWW.PRE-CONPRODUCTS.COM

TITLE:
**6'-0" x 8'-0" x 2'-8"
 STORMWATER VAULT**

DRAWN BY:
K.STRADER

DATE:
7/13/2021

SHEET:
1 OF 1

LOCATION: T:\Drawings\Vault\DESIGNS\Boxes\Website\6'x8' Stormwater Vault\6'x8' Stormwater Vault.dwg