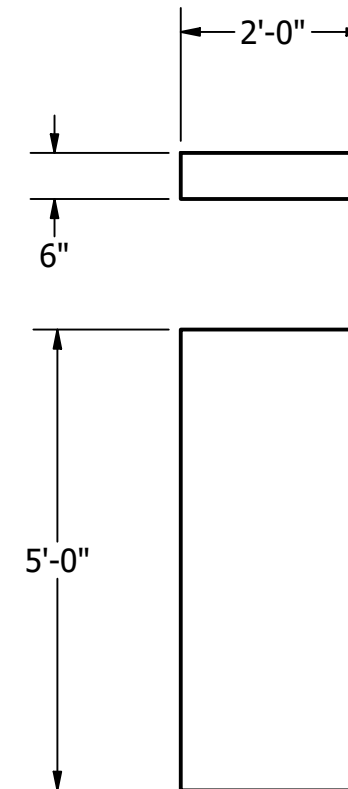
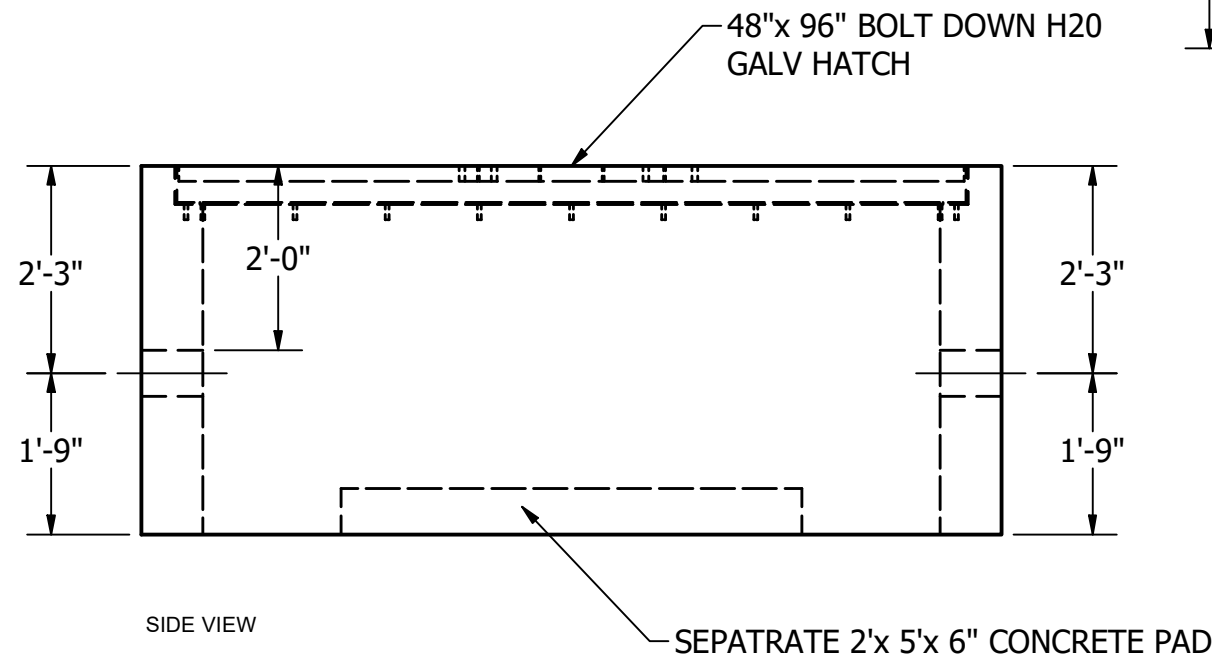
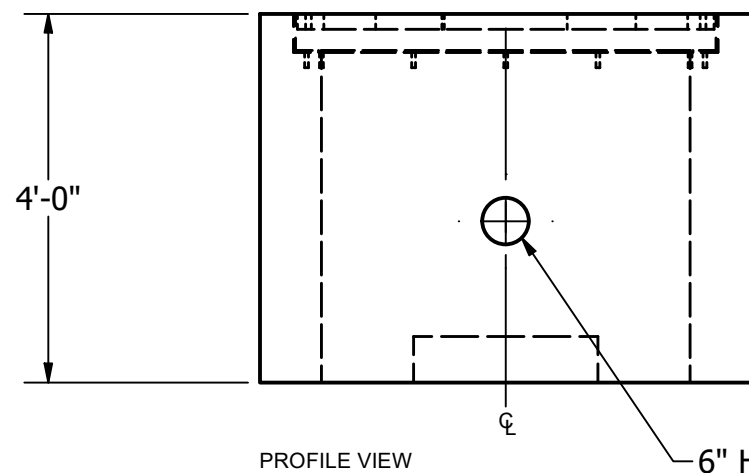


**CONCRETE**  
 28 Day Compressive 5,000 psi (Minimum)  
 Mix Design Number 1595455 SCC  
 Lifting Strength 2000 psi (Minimum)



2'x 5'x 6"  
 CONCRETE PAD  
 NOT ATTACHED TO  
 THE VAULT



REVISIONS:  
 No. DATE DESCRIPTION

THE CONTENTS OF THESE DRAWINGS ARE THE PROPERTY OF PRECON PRODUCTS AND ARE PROPRIETARY AND CONFIDENTIAL. THESE DOCUMENTS SHALL NOT BE DISSEMINATED FOR ANY OTHER USE, WITHOUT THE WRITTEN CONSENT OF PRECON PRODUCTS. IF YOU RECEIVE THESE DRAWINGS IN ERROR, RETURN TO SENDER WITHOUT READING, COPYING OR DISCLOSURING THE CONTENTS.

DO NOT SCALE

**PRECON**  
 240 W. LOS ANGELES AVE.  
 SIMI VALLEY, CA 93065  
 P: (805) 527-0841 F: (805) 584-0769  
 WWW.PRE-CONPRODUCTS.COM

TITLE:  
**4'x 8'x 4' VAULT**

DRAWN BY:  
**K.STRADER**

DATE:  
**5/1/2019**

SHEET:  
**1 OF 1**