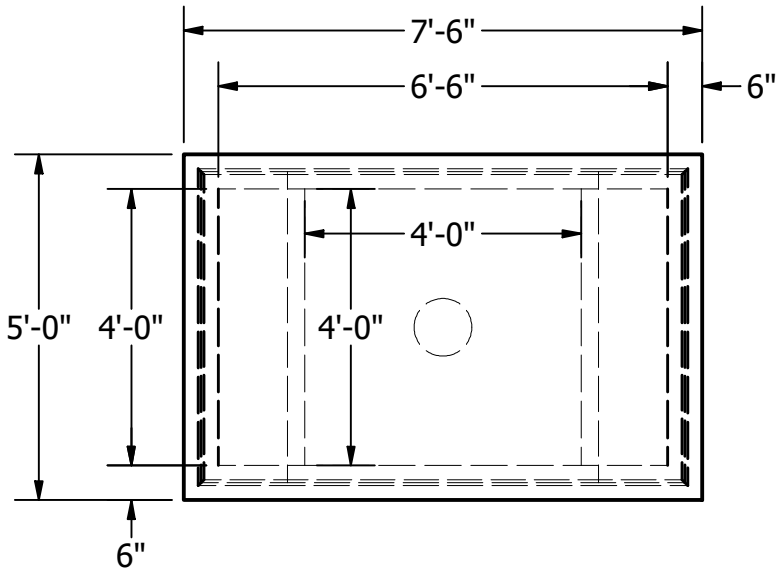
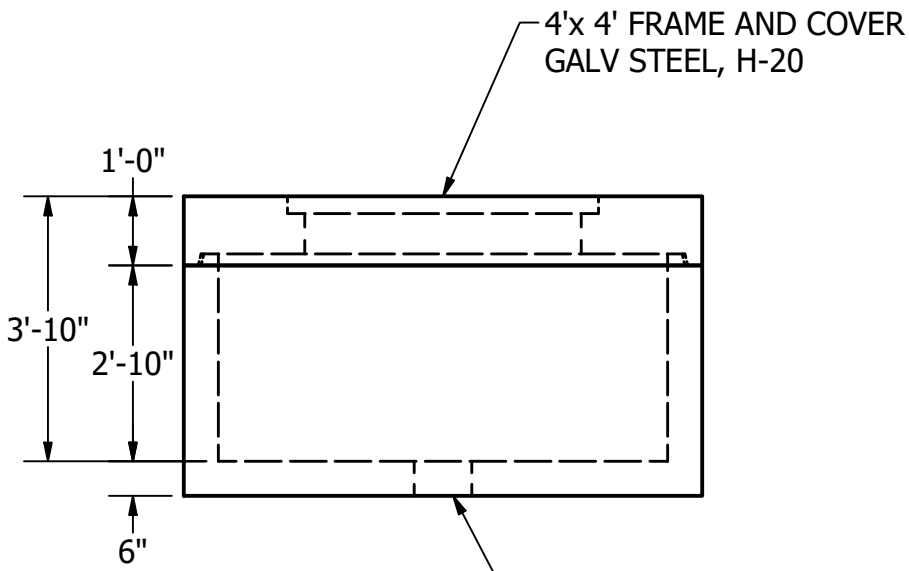
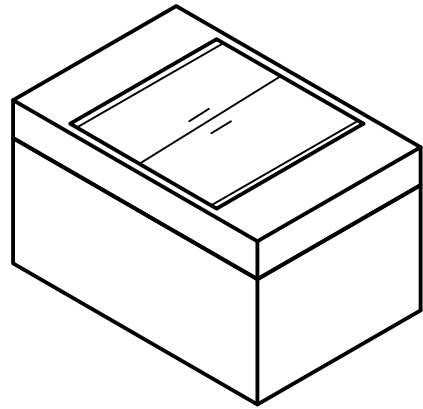


LOCATION: T:\Drawings\Vault\DESIGNS\Boxes\Website\4' Boxes\4x6.5x4.dwg



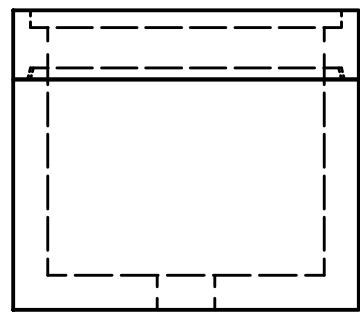
PLAN VIEW



PROFILE VIEW

4'x 4' FRAME AND COVER
GALV STEEL, H-20

Ø10" SUMP HOLE
CENTERED IN VAULT



SIDE VIEW

NOTES: UNLESS OTHER WISE SPECIFIED

1. CONCRETE SHALL HAVE A MINIMUM COMPRESSIVE STRENGTH F C= 5000 SCC PSI AT 28 DAYS. MIX DESIGN NO. 1617484.
2. THE PORTLAND CEMENT USED IN THE PRECAST SECTIONS SHALL MEET THE REQUIREMENTS OF TYPE II/V HIGH SULFATE RESISTANT CEMENT IN ACCORDANCE WITH ASTM C-150.
3. CONTRACTOR TO LET US KNOW KNOCKOUTS NEEDED.

REVISIONS:	NO.	DATE	DESCRIPTION

THE CONTENTS OF THESE DRAWINGS ARE THE PROPERTY OF PRECON AND CONFIDENTIAL. THESE DOCUMENTS SHALL NOT BE DISSEMINATED FOR ANY OTHER USE, WITHOUT THE WRITTEN PERMISSION OF PRECON PRODUCTS. IN THE EVENT OF ANY DISCREPANCY, ERROR, RETURN TO SENDER WITHOUT READING, COPYING OR DISCLOSURE THE CONTENTS.

DO NOT SCALE



240 W. LOS ANGELES AVE.
SIMI VALLEY, CA 93065
P: (805) 527-0841 F: (805) 584-0769
WWW.PRE-CONPRODUCTS.COM

TITLE:
4' x 6' - 6" Vault

DRAWN BY:
K.STRADER

DATE:
10/8/2020

SHEET:
1 OF 1